

Tetherless Intervention Forum

Chryssostomos Chryssostomidis

Milica Stojanovic

Frank van Mierlo

Tetherless Intervention Forum

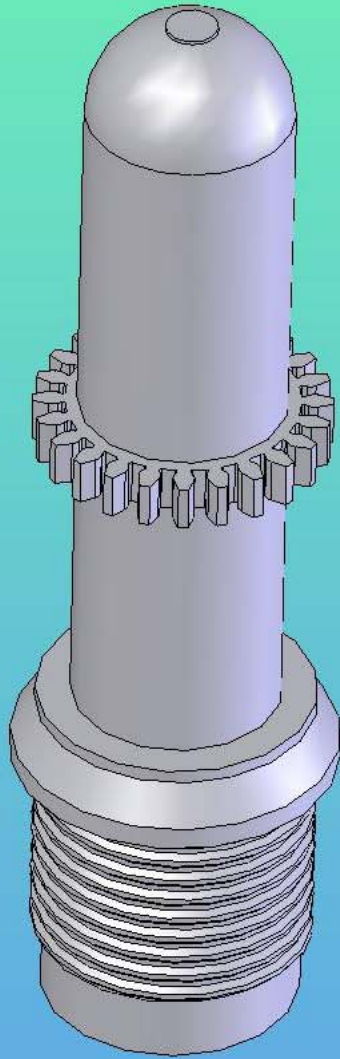
- Motivation
- “Slickline” Intervention but only data collection
- Using a purpose built IHAUV
- Well connected to
 - Communications
 - Power

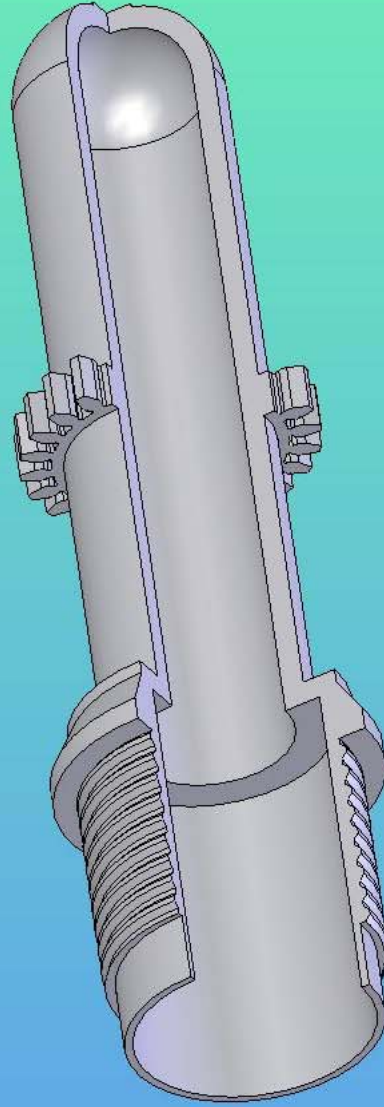
Tetherless Intervention Forum

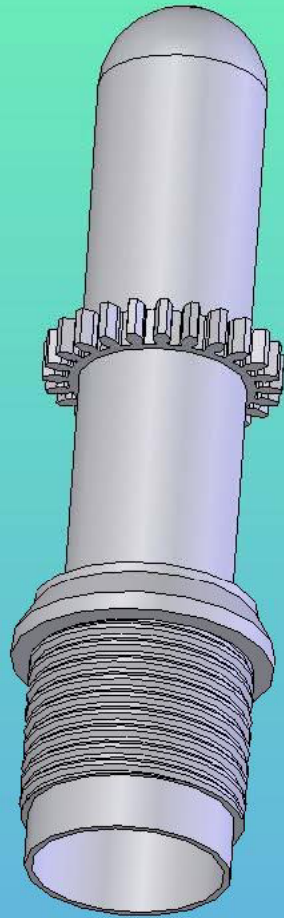
- Arrive at the scene
- Prepare for deployment
- Navigate to the well
- Dock at the well
- Intervene
- Undock
- Navigate to pick up point

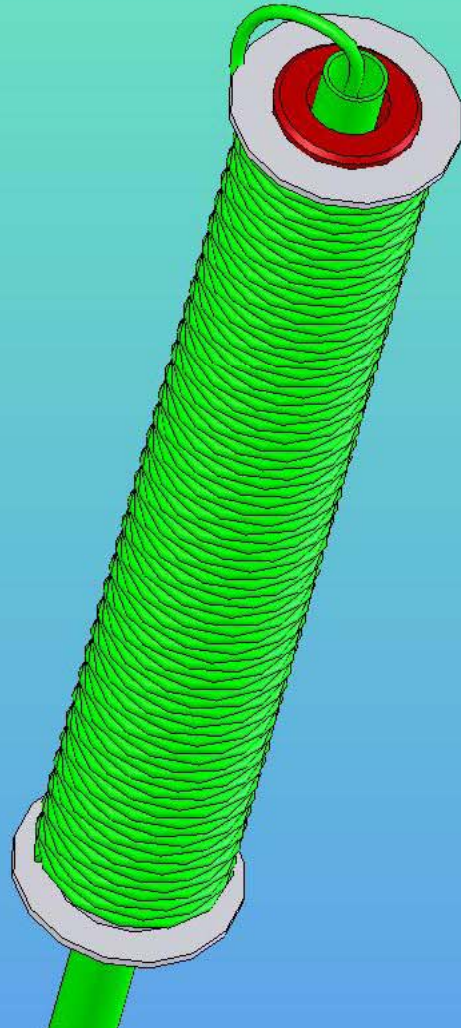
Tetherless Intervention Forum

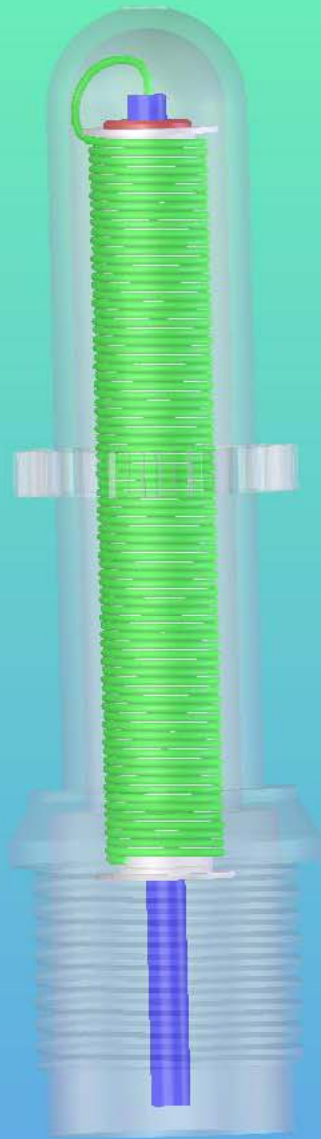
- Organization of presentation
 - Communications ... claims
 - Power ... claims
 - Intervention Vehicle ... claims and disclaims
 - Agenda for moving forward



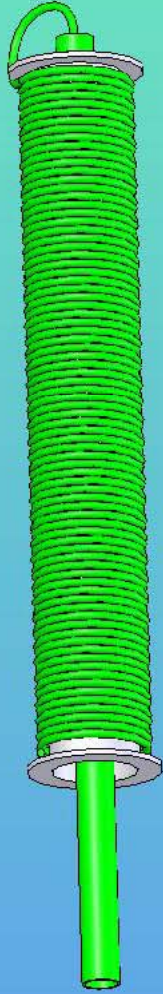




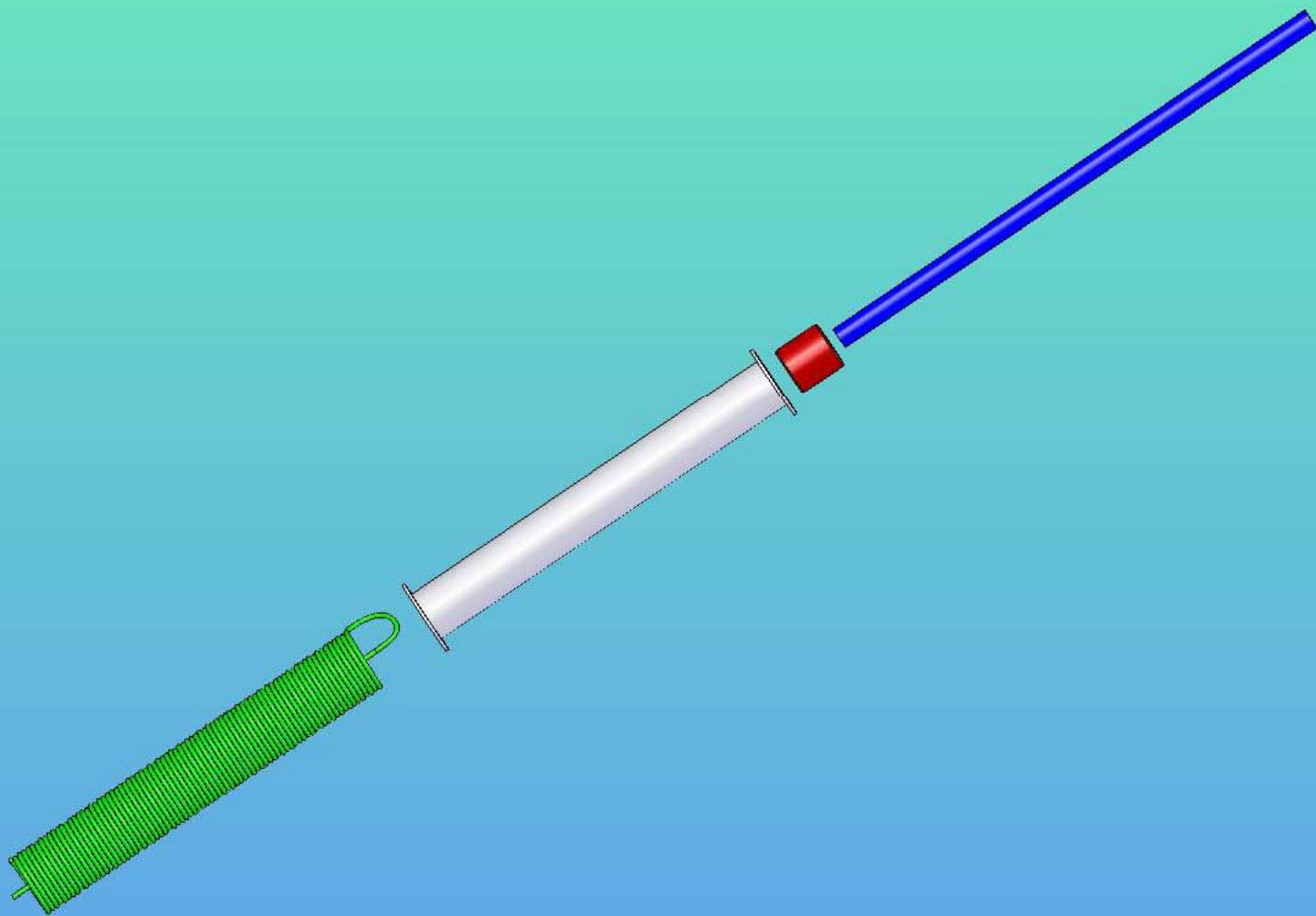


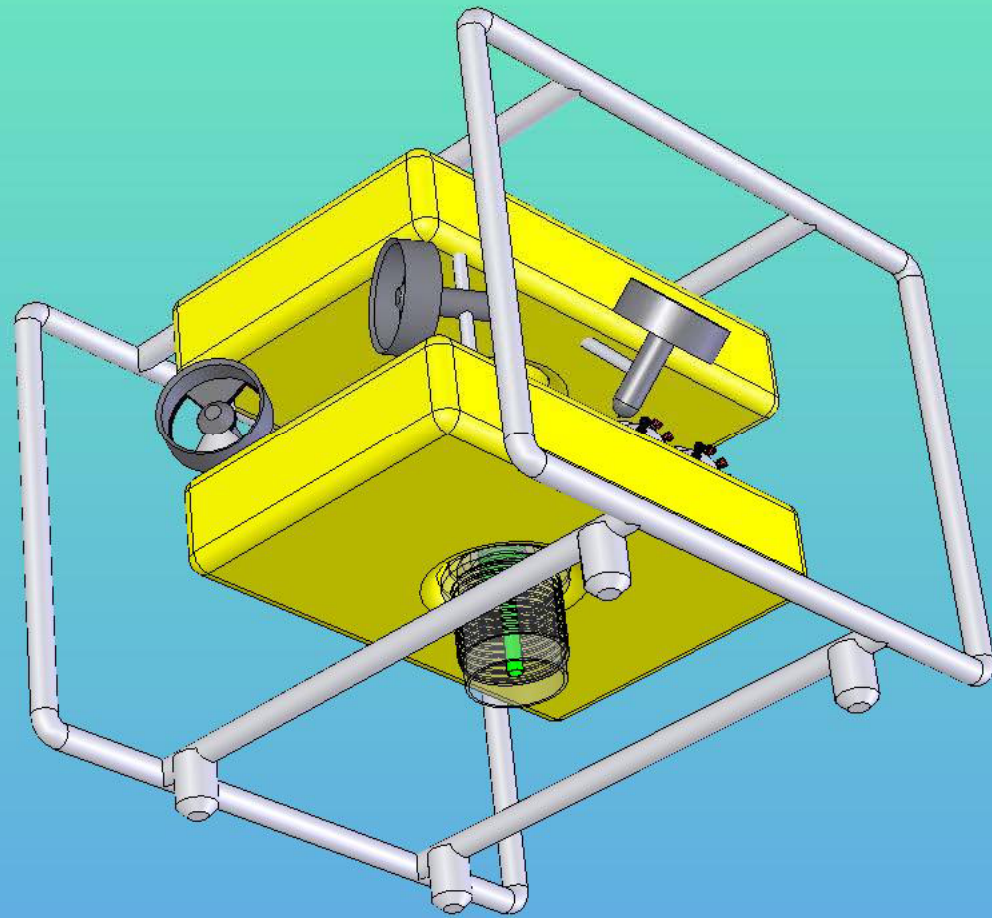


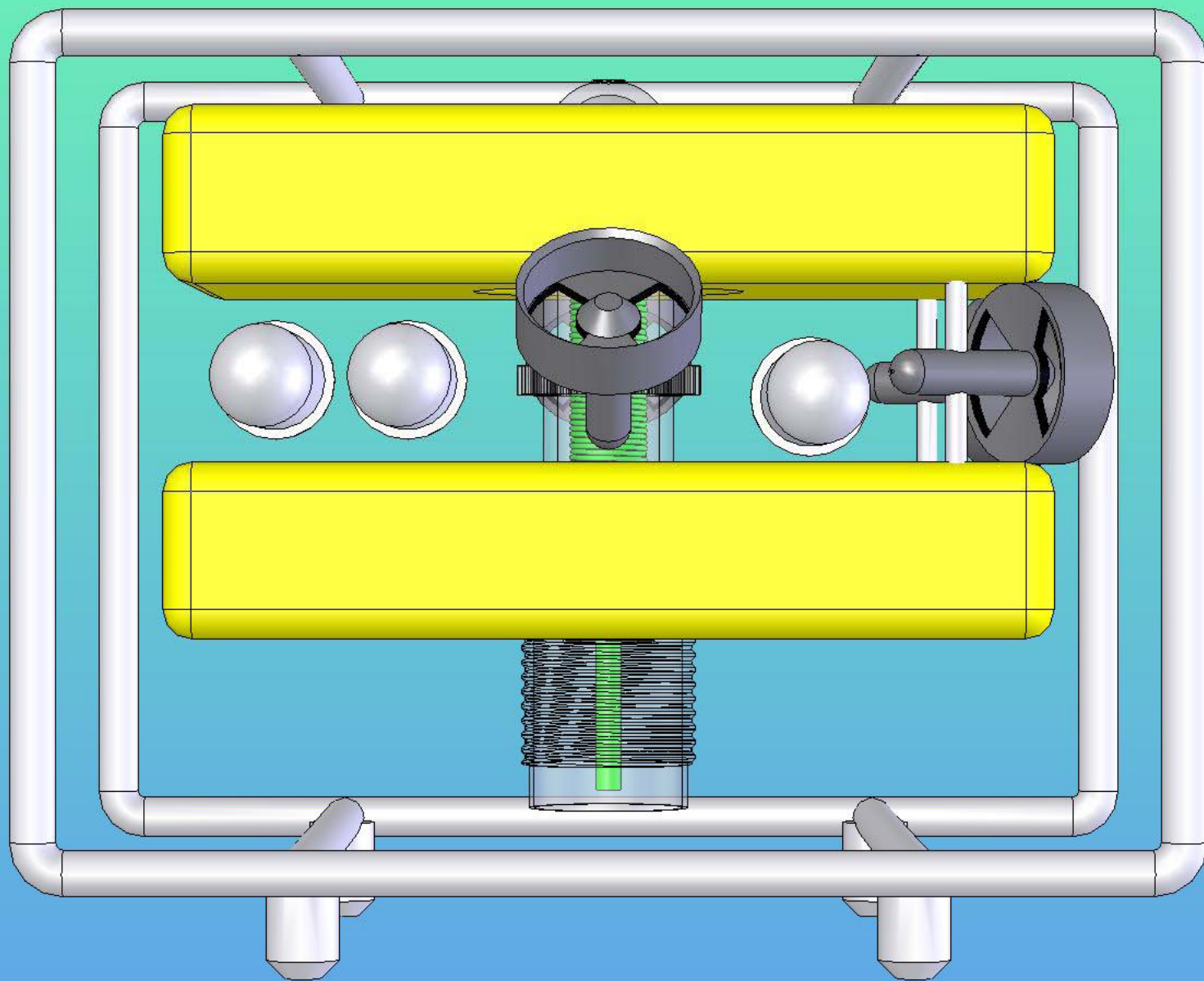


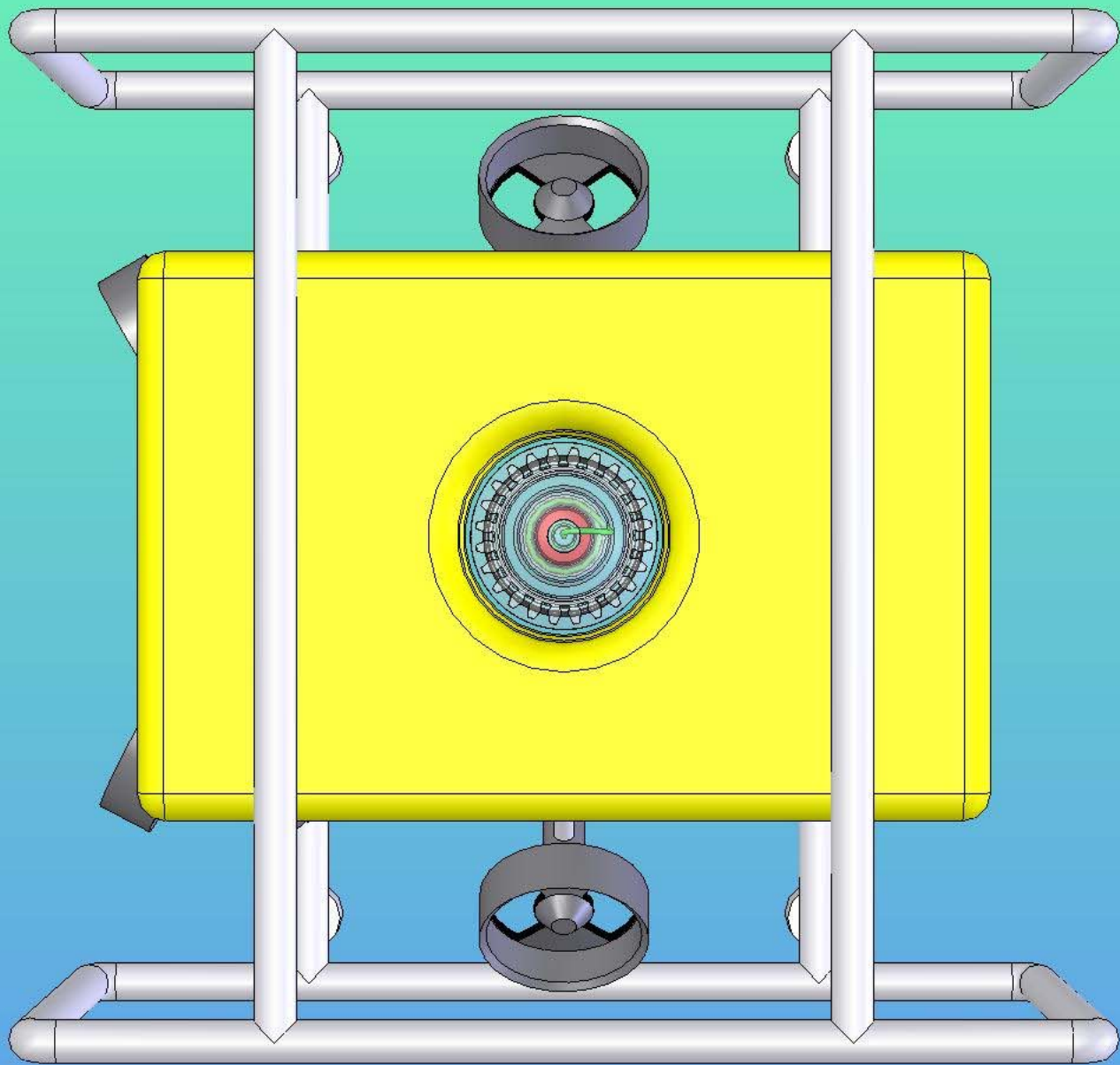


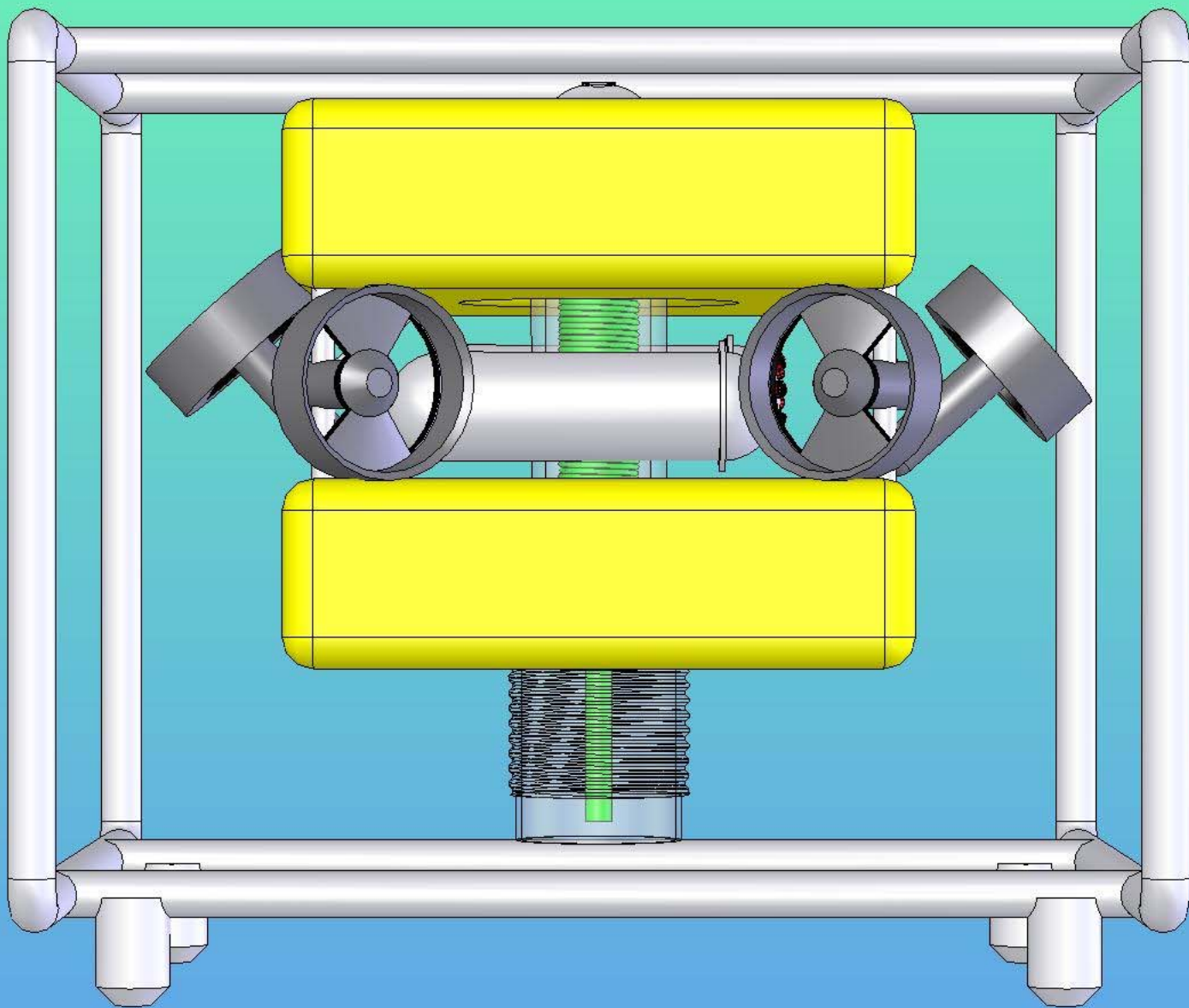












Tetherless Intervention Forum

- Task Identification and Prioritization
- Possible technologies
- Standards
- Prototype
- Demonstration (Cabled Observatory)